

旋转阀 RVB Rotary Valve RVB

应用于颗粒料的计量、卸料和锁气旋转阀

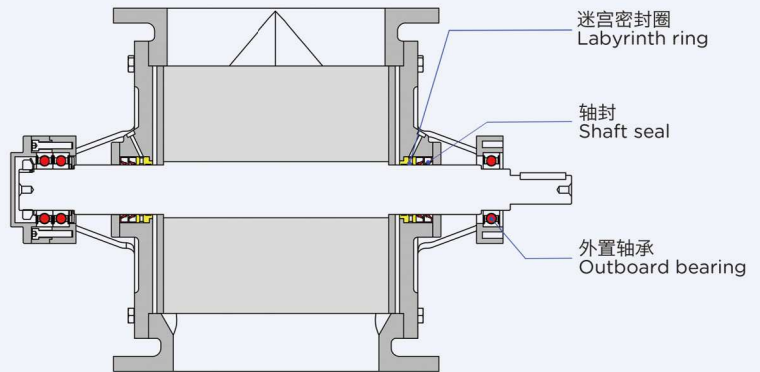
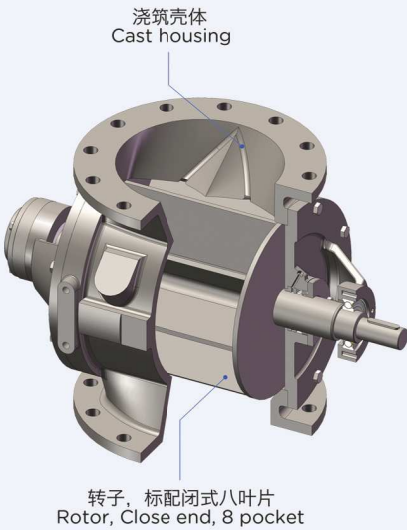
重型旋转阀适用于气力输送系统，特殊的几何入口设计，能够轻柔地处理粒料，适用于各种颗粒物料，在真空和压力环境都有不错的表现。带排料适配器/喂料筒，可将散料喂入气力输送系统，也可用于无排气口的情况下运行。

DISCHARGING AND METERING VALVE FOR GRANULAR

Heavy duty rotary valves are designed for general use on pneumatic conveying systems, Special inlet designed for gentle pellet handling, suitable for both vacuum and pressure application on a wide variety of granules, with feeding shoe also suitable for feeding material into pneumatic conveying systems, operation possible without leakage gas venting.

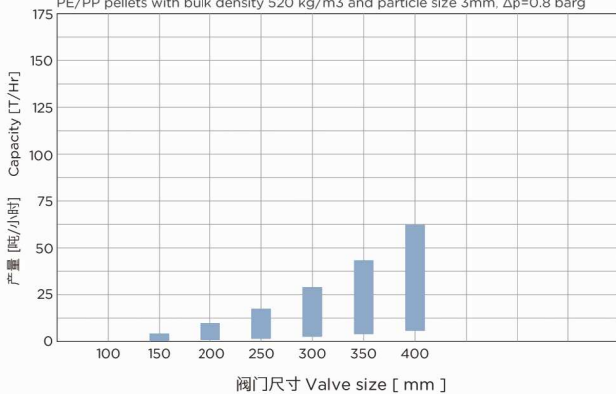


结构 STRUCTURES



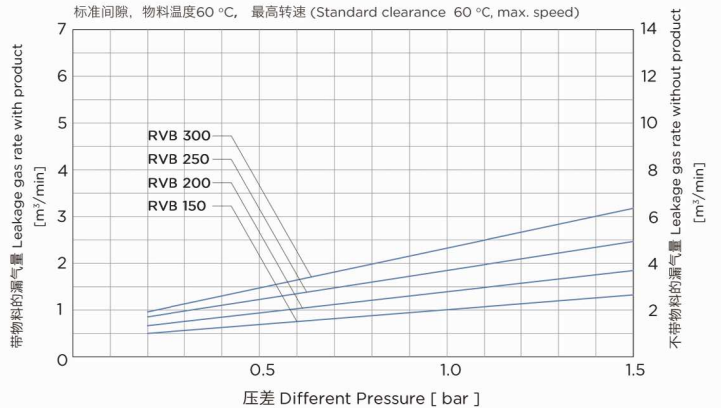
性能参考曲线 Performance diagram

PE/PP 塑料颗粒堆积密度 520kg/m³ 粒径 d50=3 mm 压差=0.8 barg
PE/PP pellets with bulk density 520 kg/m³ and particle size 3mm. Δp=0.8 barg



漏气量参考曲线 Leakage gas Diagram

标准间隙, 物料温度60 °C, 最高转速 (Standard clearance 60 °C, max. speed)



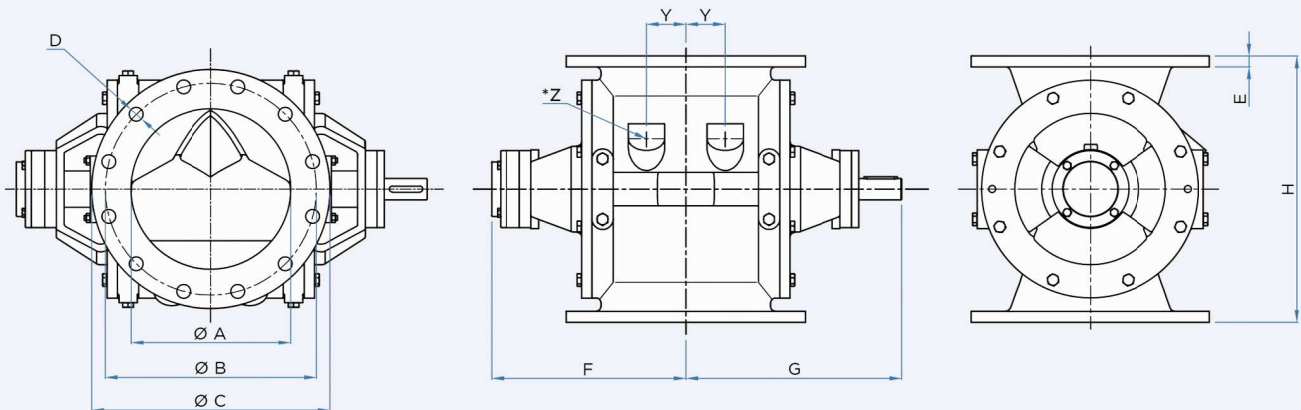
特点 FEATURES

- 材质为不锈钢304
Standard valve manufactured in SS304
- 法兰钻孔尺寸标准: ANSI 150#, DIN PN10, JIS10K
Drilled flanges in accordance with DIN, ANSI, JIS standard
- 防切料入口形状设计, 即使上游充满物料也可安全启动
Anti-chopping inlet for safe starting below full product
- 加大的进料口让阀门具有强的输送能力
Large inlet for high capacities
- 工作压力不超过1.5bar (21PSI)
Pressure difference up to 1.5 bar (21PSI)
- 标配闭式8叶片
Close ended rotor with 8 vans

选配 OPTIONS

- 叶片可选6叶片, 10叶片, 12叶片
6 van, 10 van or 12 van rotor
- 转子类型: 圆齿型转子, 小圆底转子, 可调、可换转子
Rotor design: radius pocket and adjustable-tip
- 壳体内部电镀铬硬化处理, 内衬碳化物耐磨层
Interior coatings: hard chrome, tungsten, and Teflon
- 轴封根据需要, 采用气封或迷宫密封环
Air purge shaft sealing
- 壳体排气孔
Valve housing leakage gas venting
- 配件: 物料加速室, 接近开关, 排气仓, 气体吹扫系统
Accessories: Drop-out box, speed monitor, vent box

尺寸 DIMENSIONS



技术参数 PRAMETERS

型号 Model	容积 Ltr/Rev	进料口/出口口尺寸 Inlet*/Outlet							其它尺寸 Other Dimensions					
		Ø A	ØB DIN	ØC DIN	D DIN	ØB ANSI	ØC ANSI	D ANSI	E	H	F	G	Y	*Z
RVB 150	4	150	240	285	8×Ø22	241.3	279	8×Ø22.2	15	320	245	265	37.5	1"
RVB 200	10	200	295	340	8×Ø22	298.4	343	8×Ø22.2	15	380	275	305	55	1½"
RVB 250	18	250	350	395	12×Ø22	361.9	406	8×Ø25.4	18	440	322	355	65	1½"
RVB 300	30	300	400	445	12×Ø22	431.8	483	8×Ø25.4	23	520	365	405	85	1½"

*图形尺寸单位为毫米, 厂家保留技术修改的权利

*Note: Technical modification are possible, dimensions in mm